

INVERTER

FR-E700

INSTALLATION GUIDELINE

FR-E720S-008 to 110-EC

FR-E740-016 to 300-EC

Thank you for choosing this Mitsubishi Inverter.

Please read through this Instruction Manual and the enclosed CD ROM to operate this inverter correctly

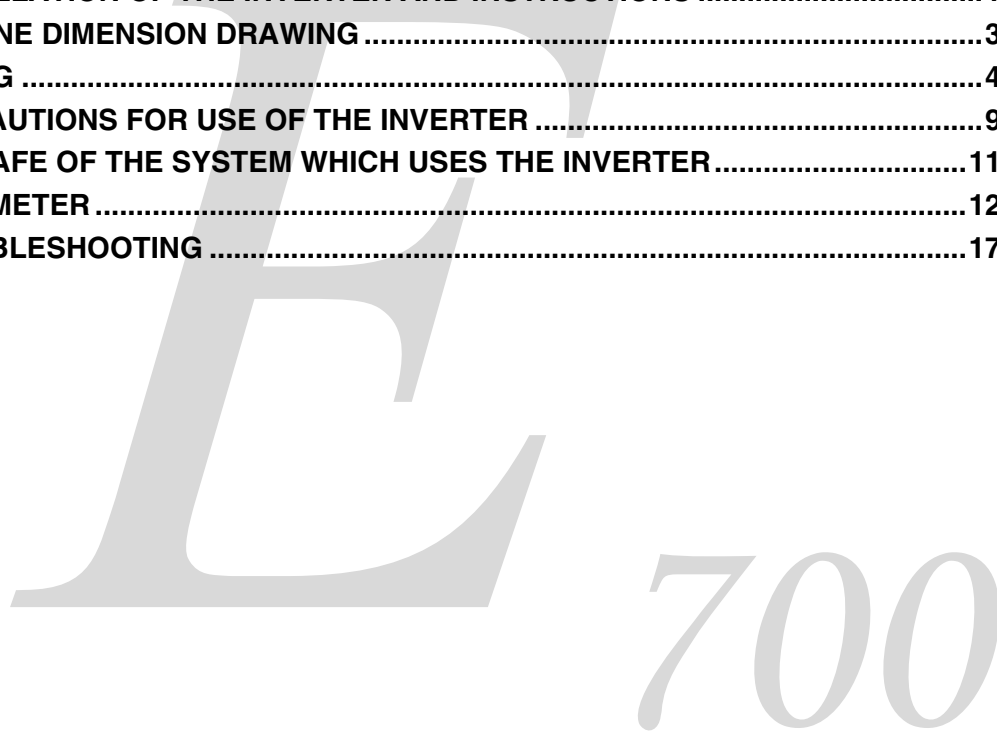
- The enclosed CD ROM contains the Installation Guideline in additional languages.
- Die CD-ROM enthält die deutsche Installationsbeschreibung.
- Il CD-ROM incluso contiene la guida di riferimento dell'installazione in lingua italiana.
- Le CD-ROM ci-joint contient cette documentation en français.
- El CD-ROM incluido contiene la pauta de la instalación en lengua española.
- Приложенный CD-ROM содержит инструкцию по инсталляции на дополнительных языках.

Do not use this product until you have a full knowledge of the equipment, the safety information and the instructions.

Please forward this manual and the CD ROM to the end user.

CONTENTS

{1}	INSTALLATION OF THE INVERTER AND INSTRUCTIONS	1
{2}	OUTLINE DIMENSION DRAWING	3
{3}	WIRING	4
{4}	PRECAUTIONS FOR USE OF THE INVERTER	9
{5}	FAILSAFE OF THE SYSTEM WHICH USES THE INVERTER.....	11
{6}	PARAMETER.....	12
{7}	TROUBLESHOOTING	17



Print Date		Manual Number	Revision
01/2008	pdp-gb	209035-A	First edition
10/2009	pdp-gb	209035-B	Additions • FR-E720S-008 to 100

 **For Maximum Safety**

- Mitsubishi transistorized inverters are not designed or manufactured to be used in equipment or systems in situations that can affect or endanger human life.
- When considering this product for operation in special applications such as machinery or systems used in passenger transportation, medical, aerospace, atomic power, electric power, or submarine repeating applications, please contact your nearest Mitsubishi sales representative.
- Although this product was manufactured under conditions of strict quality control, you are strongly advised to install safety devices to prevent serious accidents when it is used in facilities where breakdowns of the product are likely to cause a serious accident.
- Please do not use this product for loads other than three-phase induction motors.
- Please check upon receiving of the inverter whether this instruction manual corresponds to the delivered inverter. Compare the specifications on the capacity plate with the specifications given in this manual.

This section is specifically about safety matters

Do not attempt to install, operate, maintain or inspect the inverter until you have read through this Installation Guideline and appended documents carefully and can use the equipment correctly. Do not use the inverter until you have a full knowledge of the equipment, safety information and instructions. In this Installation Guideline, the safety instruction levels are classified into "WARNING" and "CAUTION".



WARNING

Assumes that incorrect handling may cause hazardous conditions, resulting in death or severe injury.



CAUTION

Assumes that incorrect handling may cause hazardous conditions, resulting in medium or slight injury, or may cause physical damage only.

Note that even the **CAUTION** level may lead to a serious consequence according to conditions. Please follow strictly the instructions of both levels because they are important to personnel safety.

Electric Shock Prevention

WARNING

- While power is on or when the inverter is running, do not open the front cover or wiring cover. Otherwise you may get an electric shock.
- Do not run the inverter with the front cover removed. Otherwise, you may access the exposed high-voltage terminals or the charging part of the circuitry and get an electric shock.
- Even if power is off, do not remove the front cover except for wiring or periodic inspection. You may access the charged inverter circuits and get an electric shock.
- Before starting wiring or inspection, check to make sure that the operation panel indicator is off, wait for at least 10 minutes after the power supply has been switched off, and check that there are no residual voltage using a tester or the like. The capacitor is charged with high voltage for some time after power off and it is dangerous.
- This inverter must be earthed (grounded). Earthing (Grounding) must conform to the requirements of national and local safety regulations and electrical codes. (NEC section 250, IEC 536 class 1 and other applicable standards)
Use a neutral-point earthed (grounded) power supply for 400V class inverter in compliance with EN standard.
- Any person who is involved in the wiring or inspection of this equipment should be fully competent to do the work.
- Always install the inverter before wiring. Otherwise, you may get an electric shock or be injured.
- Perform setting dial and key operations with dry hands to prevent an electric shock. Otherwise you may get an electric shock.
- Do not subject the cables to scratches, excessive stress, heavy loads or pinching. Otherwise you may get an electric shock.
- Do not replace the cooling fan while power is on. It is dangerous to replace the cooling fan while power is on.
- Do not touch the printed circuit board with wet hands. You may get an electric shock.
- When measuring the main circuit capacitor capacity, the DC voltage is applied to the motor for 1s at powering off. Never touch the motor terminal, etc. right after powering off to prevent an electric shock.

Fire Prevention

CAUTION

- Install the inverter on a nonflammable wall without holes (so that nobody can touch the inverter heatsink on the rear side, etc.). Mounting it to or near flammable material can cause a fire.
- If the inverter has become faulty, switch off the inverter power. A continuous flow of large current could cause a fire.
- When using a brake resistor, make up a sequence that will turn off power when an alarm signal is output. Otherwise, the brake resistor may excessively overheat due to damage of the brake transistor and such, causing a fire.
- Do not connect a resistor directly to the DC terminals +, -. This could cause a fire and destroy the inverter. The surface temperature of braking resistors can far exceed 100°C for brief periods. Make sure that there is adequate protection against accidental contact and a safe distance is maintained to other units and system parts.

Injury Prevention

CAUTION

- Apply only the voltage specified in the instruction manual to each terminal. Otherwise, burst, damage, etc. may occur.
- Ensure that the cables are connected to the correct terminals. Otherwise, burst, damage, etc. may occur.
- Always make sure that polarity is correct to prevent damage, etc. Otherwise, burst, damage, etc. may occur.
- While power is on or for some time after power-off, do not touch the inverter as it is hot and you may get burnt.

Additional Instructions

Also note the following points to prevent an accidental failure, injury, electric shock, etc.

Transportation and installation

CAUTION

- Transport the product using the correct method that corresponds to the weight. Failure to observe this could lead to injuries.
- Do not stack the inverter boxes higher than the number recommended.
- Ensure that installation position and material can withstand the weight of the inverter. Install according to the information in the instruction manual.
- Do not install or operate the inverter if it is damaged or has parts missing. This can result in breakdowns.
- When carrying the inverter, do not hold it by the front cover or setting dial; it may fall off or fail.
- Do not stand or rest heavy objects on the product.
- Check the inverter mounting orientation is correct.
- Prevent other conductive bodies such as screws and metal fragments or other flammable substance such as oil from entering the inverter.
- As the inverter is a precision instrument, do not drop or subject it to impact.
- Use the inverter under the following environmental conditions. Otherwise, the inverter may be damaged.

Operating condition	Ambient temperature	-10°C to +50°C (non-freezing)
	Ambient humidity	90% RH or less (non-condensing)
	Storage temperature	-20°C to +65°C ^①
	Atmosphere	Indoors (free from corrosive gas, flammable gas, oil mist, dust and dirt)
	Altitude	Maximum 1000m above sea level for standard operation. After that derate by 3% for every extra 500m up to 2500m (91%)
	Vibration	5.9m/s ² or less at 10 to 55Hz (directions of X, Y, Z axes)

^① Temperature applicable for a short time, e.g. in transit.

Wiring

⚠ CAUTION

- Do not install assemblies or components (e. g. power factor correction capacitors) on the inverter output side, which are not approved from Mitsubishi.
- The direction of rotation of the motor corresponds to the direction of rotation commands (STF/STR) only if the phase sequence (U, V, W) is maintained.


Test operation and adjustment

⚠ CAUTION

- Before starting operation, confirm and adjust the parameters. A failure to do so may cause some machines to make unexpected motions.

Operation

⚠ WARNING

- When you have chosen the retry function, stay away from the equipment as it will restart suddenly after an alarm stop.
- The  key is valid only when the appropriate function setting has been made. Prepare an emergency stop switch separately to make an emergency stop (power off, mechanical brake operation for emergency stop, etc).
- Make sure that the start signal is off before resetting the inverter alarm. A failure to do so may restart the motor suddenly.
- The inverter can be started and stopped via the serial port communications link or the field bus. However, please note that depending on the settings of the communications parameters it may not be possible to stop the system via these connections if there is an error in the communications system or the data line. In configurations like this it is thus essential to install additional safety hardware that makes it possible to stop the system in an emergency (e.g. controller inhibit via control signal, external motor contactor etc). Clear and unambiguous warnings about this must be posted on site for the operating and service staff.
- The load used should be a three-phase induction motor only. Connection of any other electrical equipment to the inverter output may damage the inverter as well as the equipment.
- Do not modify the equipment.
- Do not perform parts removal which is not instructed in this manual. Doing so may lead to fault or damage of the inverter.

⚠ CAUTION

- The electronic thermal relay function does not guarantee protection of the motor from overheating. It is recommended to install both an external thermal and PTC thermistor for overheat protection.
- Do not use a magnetic contactor on the inverter input for frequent starting/stopping of the inverter. Otherwise, the life of the inverter decreases.
- Use a noise filter to reduce the effect of electromagnetic interference and follow the accepted EMC procedures for proper installation of frequency inverters. Otherwise nearby electronic equipment may be affected.
- Take appropriate measures regarding harmonics. Otherwise this can endanger compensation systems or overload generators.
- When a 400V class motor is inverter-driven, please use an insulation-enhanced motor or measures taken to suppress surge voltages. Surge voltages attributable to the wiring constants may occur at the motor terminals, deteriorating the insulation of the motor.
- When parameter clear or all clear is performed, set again the required parameters before starting operations. Each parameter returns to the initial value.
- The inverter can be easily set for high-speed operation. Before changing its setting, fully examine the performances of the motor and machine.
- The DC braking function of the frequency inverter is not designed to continuously hold a load. Use an electro-mechanical holding brake on the motor for this purpose.
- Before running an inverter which had been stored for a long period, always perform inspection and test operation.
- For prevention of damage due to static electricity, touch nearby metal before touching this product to eliminate static electricity from your body.

Emergency stop

⚠ CAUTION

- Provide a safety backup such as an emergency brake which will prevent the machine and equipment from hazardous conditions if the inverter fails.
- When the breaker on the inverter primary side trips, check for the wiring fault (short circuit), damage to internal parts of the inverter, etc. Identify the cause of the trip, then remove the cause and power on the breaker.
- When the protective function is activated (i. e. the frequency inverter switches off with an error message), take the corresponding corrective action as described in the inverter manual, then reset the inverter, and resume operation.

Maintenance, inspection and parts replacement

⚠ CAUTION

- Do not carry out a megger (insulation resistance) test on the control circuit of the inverter. It will cause a failure.

Disposing of the inverter

⚠ CAUTION

- Treat as industrial waste.

General instructions

Many of the diagrams and drawings in instruction manuals show the inverter without a cover, or partially open. Never run the inverter in this status. Always replace the cover and follow instruction manuals when operating the inverter.

1 INSTALLATION OF THE INVERTER AND INSTRUCTIONS

Unpack the inverter and check the capacity plate on the front cover and the rating plate on the inverter side face to ensure that the product agrees with your order and the inverter is intact.

1.1 Inverter Type

FR - E740 - 095 - EC

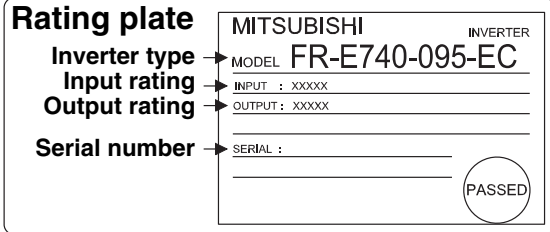
Symbol	Voltage Class	Symbol	Type number
E720S	Single-phase 200V class	008 to 300	3-digit display
E740	Three-phase 400V class		

Capacity plate example

Capacity plate

FR-E740-095-EC ← Inverter type
 SERIAL: XXXXXX ← Serial number

Rating plate example



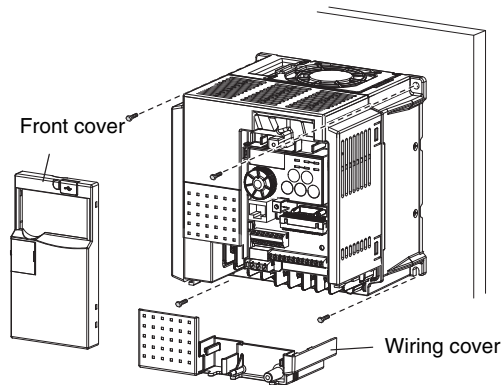
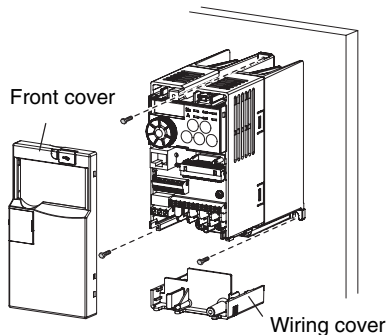
1.2 Installation of the inverter

Enclosure surface mounting

Remove the front cover and wiring cover to fix the inverter to the surface

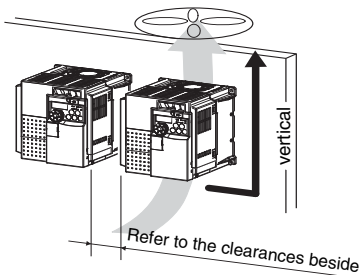
FR-E720S-008 to 030

FR-E720S-050 or more, FR-E740-016 or more

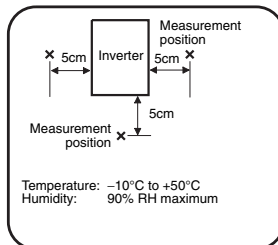


Note

- When encasing multiple inverters, install them in parallel and leave clearance as a cooling measure.
- Install the inverter vertically.

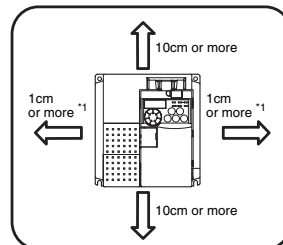


Ambient temperature and humidity

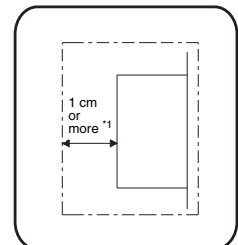


Leave enough clearances and take cooling measures.

Clearances (front)



Clearances (side)



*1 When using the inverters at the ambient temperature of 40°C or less, the inverters can be installed closely attached (0cm clearance). When ambient temperature exceeds 40°C, clearances between the inverter should be 1cm or more (5cm or more for the FR-E740-120 or more).

*1 5cm or more for the FR-E740-120 or more



1.3 General Precaution

The bus capacitor discharge time is 10 minutes. Before starting wiring or inspection, switch power off, wait for more than 10 minutes, and check for residual voltage between terminal + and – with a meter etc., to avoid a hazard of electrical shock.

1.4 Environment

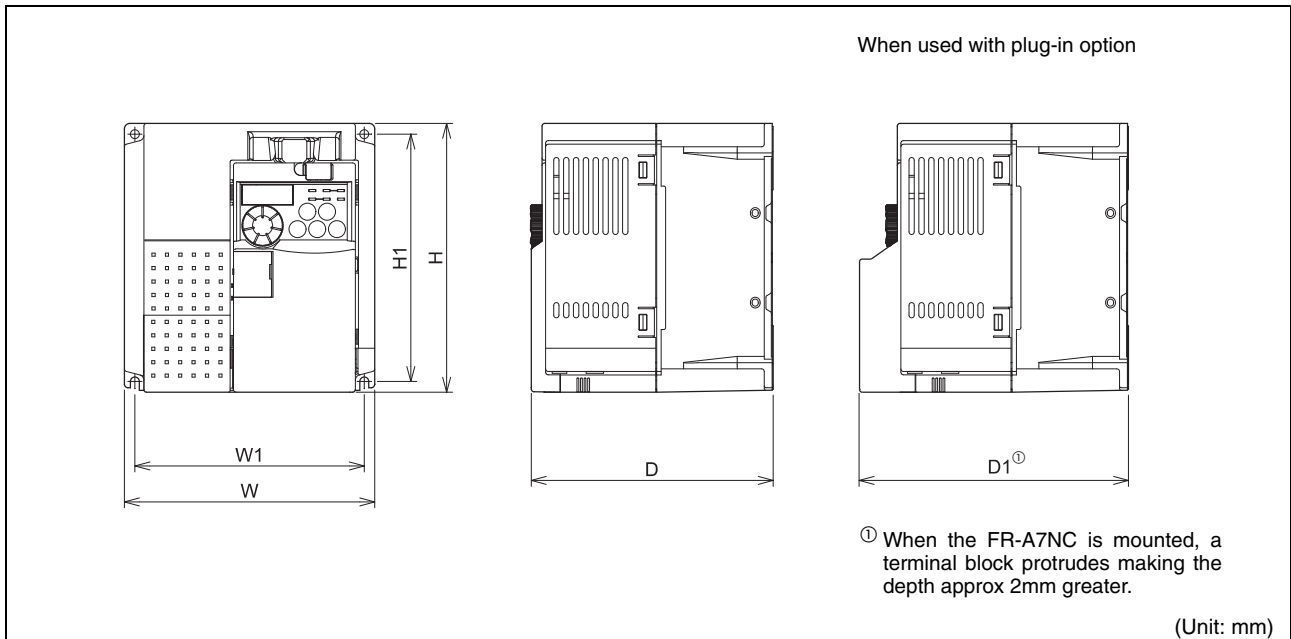
Before installation, check that the environment meets following specifications.

Ambient temperature	-10°C to +50°C (non-freezing)
Ambient humidity	90% RH or less (non-condensing)
Atmosphere	Free from corrosive and explosive gases, free from dust and dirt
Maximum altitude	1000m or less. After that derate by 3% for every extra 500m up to 2500m (91%)
Vibration	5.9m/s ² or less at 10 to 55Hz (directions of X, Y, Z axes)

CAUTION

- Install the inverter on a strong surface securely and vertically with bolts.
- Leave enough clearances and take cooling measures.
- Avoid places where the inverter is subjected to direct sunlight, high temperature and high humidity.
- Install the inverter on a non-combustible surface.

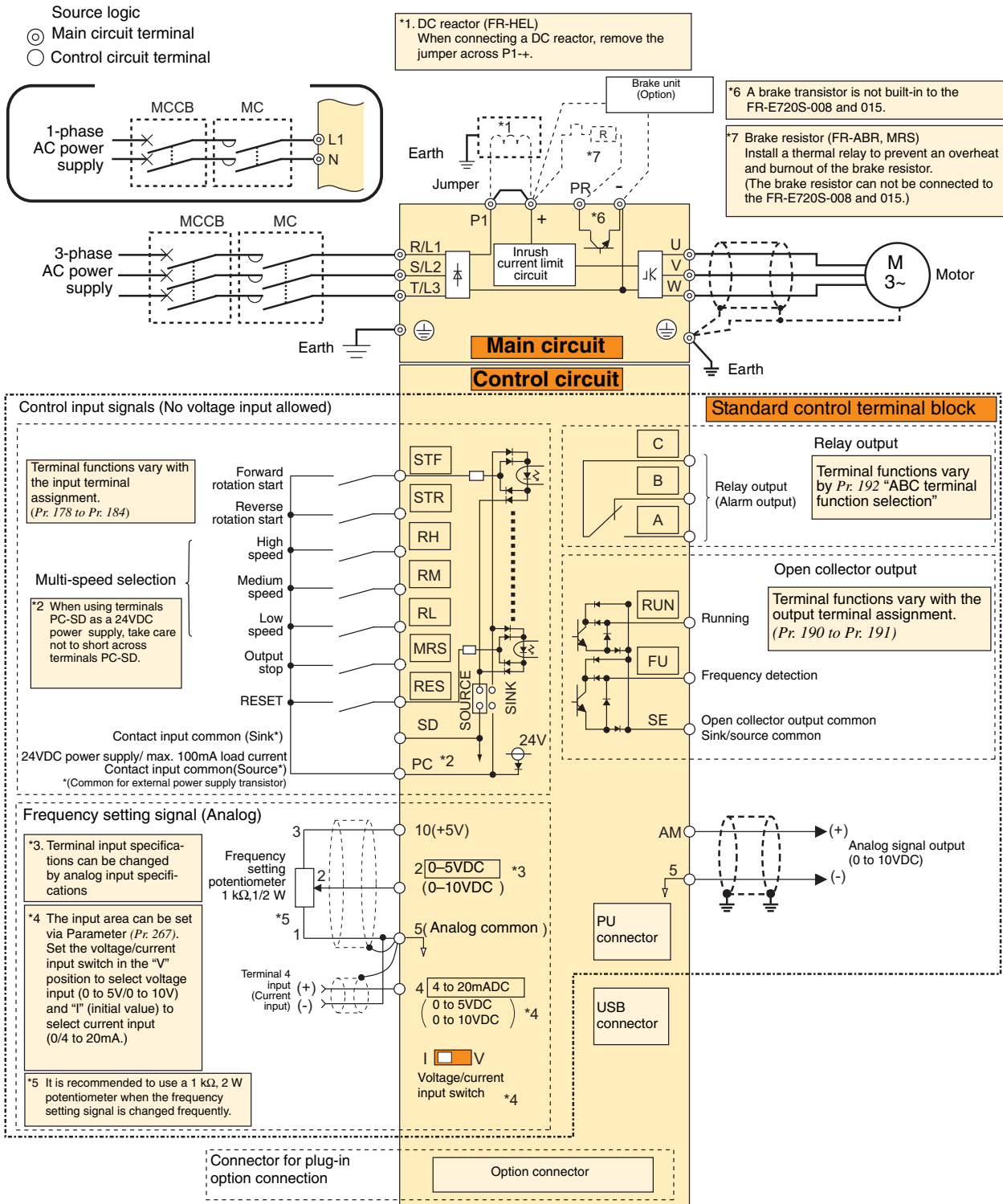
2 OUTLINE DIMENSION DRAWING



Inverter Type		W	W1	H	H1	D	D1
200V class	FR-E720S-008	68	56	128	118	80.5	95.6
	FR-E720S-015						
	FR-E720S-030						
	FR-E720S-050	108	96			142.5	157.6
	FR-E720S-080					135.5	150.6
	FR-E720S-110					161	176.1
400V class	FR-E740-016	140	128	150	138	155.5	170.6
	FR-E740-026					114	129.1
	FR-E740-040					135	150.1
	FR-E740-060						
	FR-E740-095						
	FR-E740-120	220	208	260	244	147	162.1
	FR-E740-170						
	FR-E740-230					190	205.1
	FR-E740-300						

3 WIRING

3.1 Terminal connection diagram



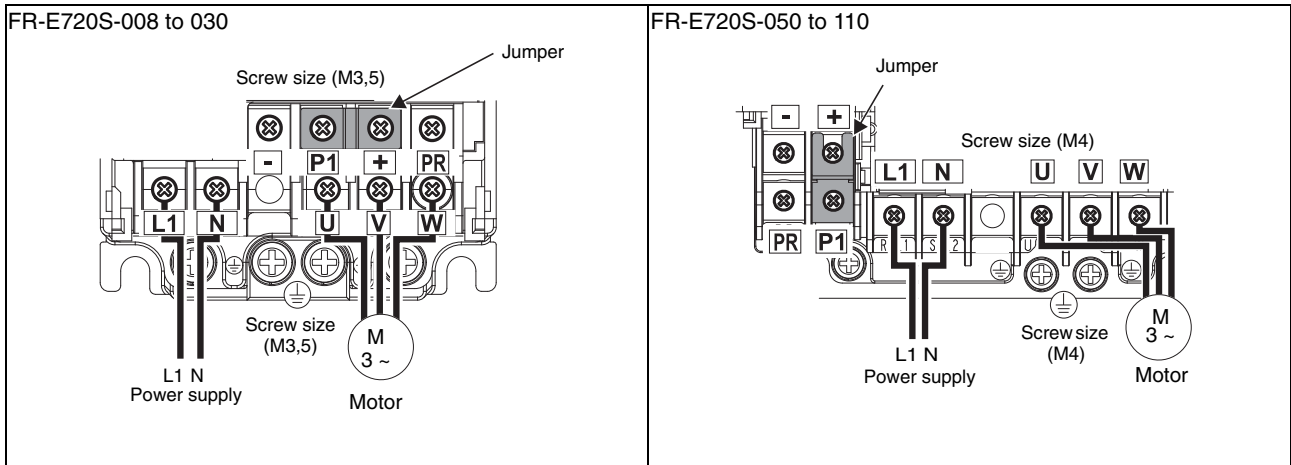
CAUTION

- To prevent a malfunction due to noise, keep the signal cables more than 10cm away from the power cables. Also separate the main circuit wire of the input side and the output side.
- After wiring, wire offcuts must not be left in the inverter. Wire offcuts can cause an alarm, failure or malfunction. Always keep the inverter clean. When drilling mounting holes in a control box etc., take care not to allow chips and other foreign matter to enter the inverter.
- Set the voltage/current input switch in the correct position. An incorrect setting may cause a fault, failure or malfunction.
- The output of the single-phase power input specification is three-phase 230V.

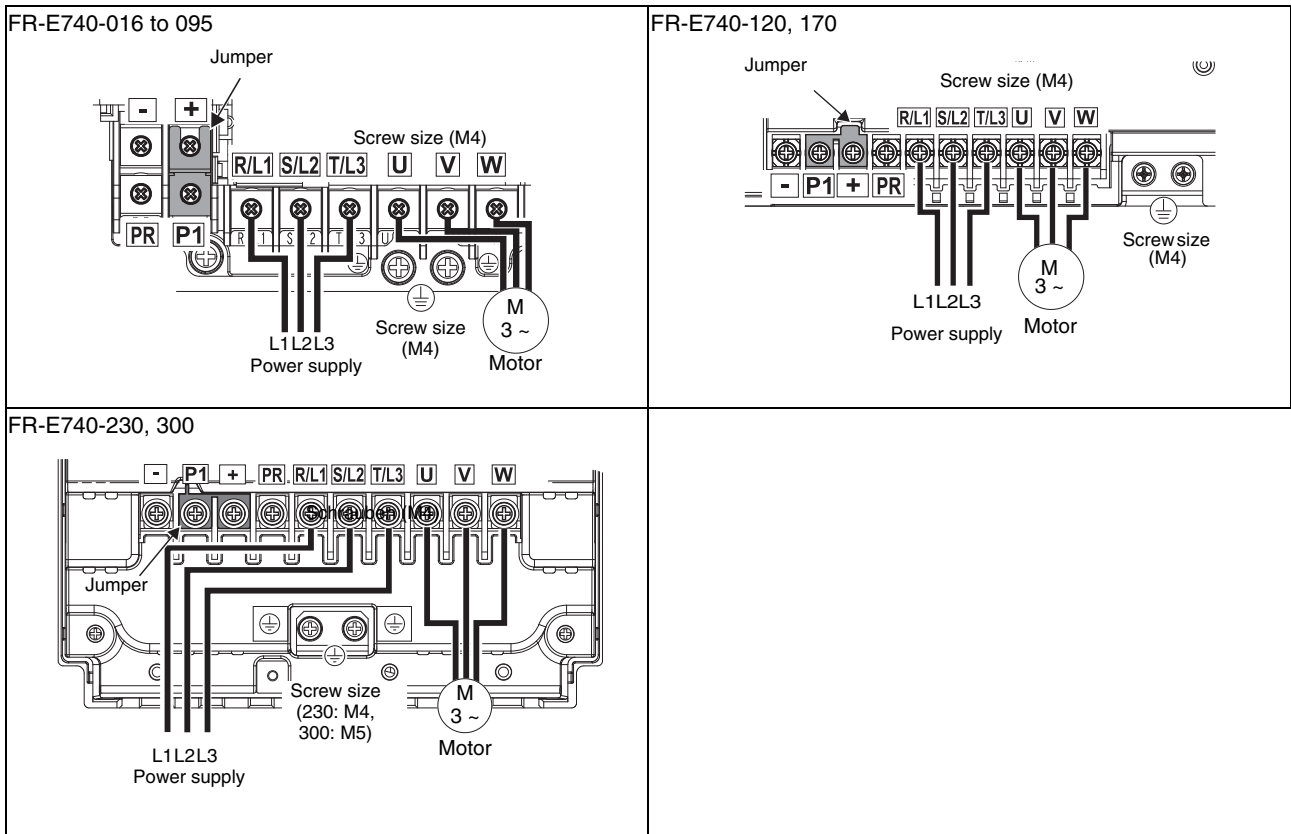
3.2 Main circuit terminal specifications

3.2.1 Terminal arrangement of the main circuit terminal, power supply and the motor wiring

Single-phase 200V class



Three-phase 400V class



CAUTION

- The power supply cables must be connected to R/L1, S/L2, T/L3. Never connect the power cable to the U, V, W of the inverter. Doing so will damaged the inverter. (Phase sequence needs not to be matched.)
- Connect the motor to U, V, W. At this time turning on the forward rotation switch (signal) rotates the motor in the clockwise direction when viewed on the motor shaft.



3.3 Cables and wiring length

3.3.1 Cable size

Select the recommended cable size to ensure that a voltage drop will be 2% max.

If the wiring distance is long between the inverter and motor, a main circuit cable voltage drop will cause the motor torque to decrease especially at the output of a low frequency.

The following table indicates a selection example for the wiring length of 20m.

Single-phase 200V class (when input power supply is 230V)

Applicable Inverter Type	Terminal Screw Size *4	Tightening Torque [Nm]	Crimping Terminal	
			L1, N	U, V, W
FR-E720S-008 to 030	M3.5	1.2	2-3.5	2-3.5
FR-E720S-050	M4	1.5	2-4	2-4
FR-E720S-080	M4	1.5	2-4	2-4
FR-E720S-110	M4	1.5	5.5-4	5.5-4

Applicable Inverter Type	Cable Sizes							
	HIV [mm ²] *1			AWG *2		PVC [mm ²] *3		
	L1, N	U, V, W	Earth Cable Gauge	L1, N	U, V, W	L1, N	U, V, W	Earth Cable Gauge
FR-E720S-008 to 030	2	2	2	14	14	2.5	2.5	2.5
FR-E720S-050	2	2	2	14	14	2.5	2.5	2.5
FR-E720S-080	2	2	2	14	14	2.5	2.5	2.5
FR-E720S-110	3.5	2	3.5	12	14	4	2.5	4

Three-phase 400V class (when input power supply is 440V)

Applicable Inverter Type	Terminal Screw Size *4	Tightening Torque [Nm]	Crimping Terminal	
			R/L1, S/L2, T/L3	U, V, W
FR-E740-016 to 095	M4	1.5	2-4	2-4
FR-E740-120	M4	1.5	2-4	2-4
FR-E740-170	M4	1.5	5.5-4	5.5-4
FR-E740-230	M4	1.5	5.5-4	5.5-4
FR-E740-300	M5	2.5	8-5	8-5

Applicable Inverter Type	Cable Sizes							
	HIV, etc. [mm ²] *1			AWG *2		PVC, etc. [mm ²] *3		
	R/L1, S/L2, T/L3	U, V, W	Earth Cable Gauge	R/L1, S/L2, T/L3	U, V, W	R/L1, S/L2, T/L3	U, V, W	Earth Cable Gauge
FR-E740-016 to 095	2	2	2	14	14	2.5	2.5	2.5
FR-E740-120	3.5	2	3.5	12	14	4	2.5	4
FR-E740-170	3.5	3.5	3.5	12	12	4	4	4
FR-E740-230	5.5	5.5	8	10	10	6	6	10
FR-E740-300	8	8	8	8	8	10	10	10

*1 The recommended cable size is that of the HIV cable (600V class 2 vinyl-insulated cable) with continuous maximum permissible temperature of 75°C. Assumes that the ambient temperature is 50°C or less and the wiring distance is 20m or less.

*2 The recommended cable size is that of the THHW cable with continuous maximum permissible temperature of 75°C. Assumes that the ambient temperature is 40°C or less and the wiring distance is 20m or less. (Selection example for use mainly in the United States.)

*3 The recommended cable size is that of the PVC cable with continuous maximum permissible temperature of 70°C. Assumes that the ambient temperature is 40°C or less and the wiring distance is 20m or less. (Selection example for use mainly in Europe.)

*4 The terminal screw size indicates the terminal size for R/L1, S/L2, T/L3, U, V, W and a screw for earthing. For single-phase power input, the terminal screw size indicates the size of terminal screw for L1, N, U, V, W, PR, +, -, P1 and a screw for earthing.

NOTE

- Tighten the terminal screw to the specified torque. A screw that has been tightened too loosely can cause a short circuit or malfunction. A screw that has been tightened too tightly can cause a short circuit or malfunction due to the unit breakage.
- Use crimping terminals with insulation sleeve to wire the power supply and motor.

The line voltage drop can be calculated by the following expression:

$$\text{line voltage drop [V]} = \frac{\sqrt{3} \times \text{wire resistance [m}\Omega\text{/m]} \times \text{wiring distance [m]} \times \text{current [A]}}{1000}$$

Use a larger diameter cable when the wiring distance is long or when it is desired to decrease the voltage drop (torque reduction) in the low speed range.

3.3.2 Maximum permissible motor wiring length

The maximum permissible length of the motor cables depends on the capacity of the inverter and the selected carrier frequency.

The lengths in the following table are for unshielded cables. When shielded cables are used divide the values listed in the table by 2. Note that the values are for the total wiring length – if you connect more than one motor in parallel you must add the lengths of the individual motor cables.

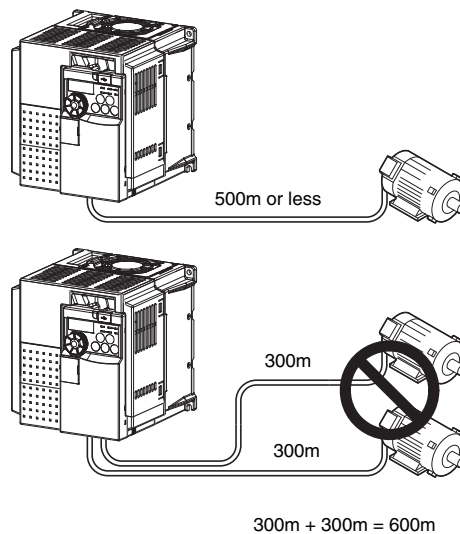
Single-phase 200V class

Setting of Pr. 72 PWM Frequency selection (carrier frequency)	FR-E720S-					
	008	015	030	060	080	110
1 (1kHz) or less	200m	200m	300m	500m	500m	500m
2 to 15 (2kHz to 14.5kHz)	30m	100m	200m	300m	300m	500m

Three-phase 400V class

Setting of Pr. 72 PWM Frequency selection (carrier frequency)	FR-E740				
	016	026	040	060	≥ 095
1 (1kHz) or less	200m	200m	300m	500m	500m
2 to 15 (2kHz to 14.5kHz)	30m	100m	200m	300m	500m

Total wiring length (FR-E740-095 or more)



Note that the motor windings in three-phase AC motors are subject to far more stress when operated via frequency inverters than with mains operation. The motor must have been approved by the manufacturer for operation on a frequency inverter.

In the PWM type inverter, a surge voltage attributable to wiring constants is generated at the motor terminals. Especially for a 400V class motor, the surge voltage may deteriorate the insulation. When the 400V class motor is driven by the inverter, consider the following measures:

- Use a "400V class inverter-driven insulation-enhanced motor" and set frequency in *Pr. 72 PWM frequency selection* according to wiring length.

	≤ 50m	50m–100m	≥ 100m
Carrier frequency	≤ 14.5kHz	≤ 8kHz	≤ 2kHz

- Limiting the voltage rise speed of the frequency inverter output voltage (dU/dT):
If the motor requires a rise speed of 500V/μs or less you must install a filter in the output of the inverter. Please contact your Mitsubishi dealer for more details.

CAUTION

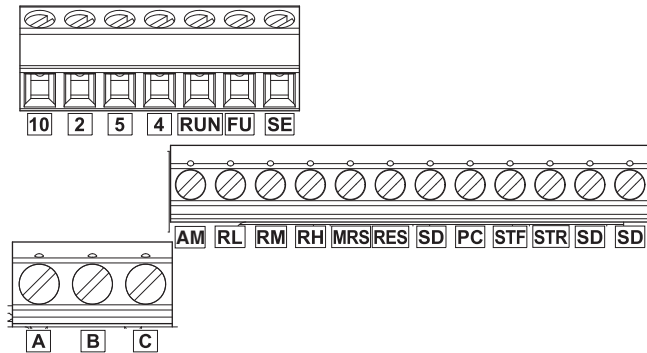
- Especially for long-distance wiring (particularly when employing shielded motor cables), the inverter may be affected by a charging current caused by the stray capacitances of the wiring, leading to a malfunction of the overcurrent protective function or fast response current limit function, or stall prevention function or a malfunction or fault of the equipment connected on the inverter output side. When the fast-response current limit function malfunctions, make the function invalid. When stall prevention function misoperates, increase the stall level. (For *Pr. 22 Stall prevention operation level* and *Pr. 156 Stall prevention operation selection*, refer to the Instruction Manual.)
- For details of *Pr. 72 PWM frequency selection*, refer to the Instruction Manual.
- When using the automatic restart after instantaneous power failure function with wiring length exceeding 100m, select without frequency search (*Pr. 162* = "1, 11"). (Refer to the Instruction Manual).



3.4 Control circuit specification

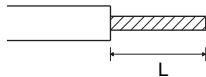
3.4.1 Standard control circuit terminal layout

Terminal screw size
 M3: (Terminal A, B, C)
 M2: (Other than the above)



3.4.2 Wiring method

- Strip off the sheath of the cable of the control circuit to wire.
 Strip off the sheath about the size below. If the length of the sheath peeled is too long, a short circuit may occur among neighboring wires. If the length is too short, wires might come off.
 Wire the stripped cable after twisting it to prevent it from becoming loose. In addition, do not solder it.
 Use a bar terminal as necessary.



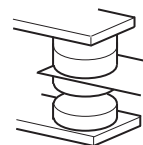
- Loosen the terminal screw and insert the cable into the terminal.

	L[mm]	Tightening torque[Nm]
Terminal A, B, C	6	0.5–0.6
Other than the above	5	0.22–0.25
Screw driver	Flat blade screw driver Tip thickness: 0.4mm x 2.5mm	

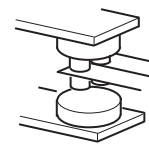
- Tighten the screw to the specified torque.
 Undertightening can cause cable disconnection or malfunction. Overtightening can cause a short circuit or malfunction due to damage to the screw or unit.

3.4.3 Wiring instructions

- Terminals PC, 5, and SE are all common terminals (0V) for I/O signals and are isolated from each other. Avoid connecting the terminal PC and 5 and the terminal SE and 5 (ground). Terminal PC is a common terminal for the contact input terminals (STF, STR, RH, RM, RL, MRS, RES).
- Use shielded or twisted cables for connection to the control circuit terminals and run them away from the main and power circuits (including the 230V relay sequence circuit).
- Use two or more parallel micro-signal contacts or twin contacts to prevent a contact faults when using contact inputs since the control circuit input signals are micro-currents.



Micro signal contacts



Twin contacts

- Do not apply a voltage to the contact input terminals (e.g. STF) of the control circuit.
- Always apply a voltage to the alarm output terminals (A, B, C) via a relay coil, lamp, etc.
- It is recommended to use the cables of 0.3mm² to 0.75mm² gauge for connection to the control circuit terminals.
 If the cable gauge used is 1.25mm² or more, the front cover may be lifted when there are many cables running or the cables are run improperly, resulting in a fall off of the front cover.
- The wiring length should be 30m maximum.
- The level of the control signals can be switched over between positive (SOURCE) and negative (SINK) logic. The input signals are set to source logic when shipped from the factory. To change the control logic, the jumper connector above the control circuit terminal block must be removed to the other position.
- Do not short terminal PC and SD. Inverter may be damaged.

4 PRECAUTIONS FOR USE OF THE INVERTER

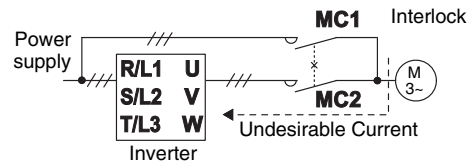
The FR-E700 series is a highly reliable product, but incorrect peripheral circuit making or operation/handling method may shorten the product life or damage the product.

Before starting operation, always recheck the following items.

- Use crimping terminals with insulation sleeve to wire the power supply and motor.
- Application of power to the output terminals (U, V, W) of the inverter will damage the inverter. Never perform such wiring.
- After wiring, wire offcuts must not be left in the inverter.
Wire offcuts can cause an alarm, failure or malfunction. Always keep the inverter clean. When drilling mounting holes in a control box etc., take care not to allow chips and other foreign matter to enter the inverter.
- Use cables of the size to make a voltage drop 2% maximum.
If the wiring distance is long between the inverter and motor, a main circuit cable voltage drop will cause the motor torque to decrease especially at the output of a low frequency.
Refer to *page 6* for the recommended cable size.
- The overall wiring length should be 500m maximum.
Especially for long distance wiring, the fast-response current limit function may be reduced or the equipment connected to the inverter output side may malfunction or become faulty under the influence of a charging current due to the stray capacity of the wiring. Therefore, note the overall wiring length. (Refer to *page 6*)
- Electromagnetic Compatibility
Operation of the frequency inverter can cause electromagnetic interference in the input and output that can be propagated by cable (via the power input lines), by wireless radiation to nearby equipment (e.g. AM radios) or via data and signal lines. Install an optional filter if present to reduce air propagated interference on the input side of the inverter. Use AC or DC reactors to reduce line propagated noise (harmonics). Use shielded motor power lines to reduce output noise.
- Do not install a power factor correction capacitor, varistor or arrester on the inverter output side. This will cause the inverter to trip or the capacitor, varistor, or arrester to be damaged. If any of the above devices is installed, immediately remove it.
- Before starting wiring or other work after the inverter is operated, wait for at least 10 minutes after the power supply has been switched off, and check that there are no residual voltage using a tester or the like. The capacitor is charged with high voltage for some time after power off and it is dangerous.
- A short circuit or earth fault on the inverter output side may damage the inverter modules.
 - Fully check the insulation resistance of the circuit prior to inverter operation since repeated short circuits caused by peripheral circuit inadequacy or an earth fault caused by wiring inadequacy or reduced motor insulation resistance may damage the inverter modules.
 - Fully check the to-earth insulation and inter-phase insulation of the inverter output side before power-on.
Especially for an old motor or use in hostile atmosphere, securely check the motor insulation resistance etc.
- Do not use the inverter input side magnetic contactor to start/stop the inverter.
Always use the start signal (ON/OFF of STF and STR signals) to start/stop the inverter.
- Across + and PR terminals, connect only an external regenerative brake discharge resistor. Do not connect a mechanical brake.
The brake resistor can not be connected to the FR-E720S-008 and 015. Leave terminals + and PR open.
Also, never short between these terminals.



- Do not apply a voltage higher than the permissible voltage to the inverter I/O signal circuits.
Application of a voltage higher than the permissible voltage to the inverter I/O signal circuits or opposite polarity may damage the I/O devices. Especially check the wiring to prevent the speed setting potentiometer from being connected incorrectly to short terminals 10-5.
- Provide electrical and mechanical interlocks for MC1 and MC2 which are used for bypass operation.
When the wiring is incorrect or if there is a bypass circuit as shown below, the inverter will be damaged by leakage current from the power supply due to arcs generated at the time of switch-over or chattering caused by a sequence error.
- If the machine must not be restarted when power is restored after a power failure, provide a magnetic contactor in the inverter's input side and also make up a sequence which will not switch on the start signal.
If the start signal (start switch) remains on after a power failure, the inverter will automatically restart as soon as the power is restored.
- Instructions for overload operation
When performing operation of frequent start/stop of the inverter, increase/decrease in the temperature of the transistor element of the inverter may repeat due to a continuous flow of large current, shortening the life from thermal fatigue. Since thermal fatigue is related to the amount of current, the life can be increased by reducing bound current, starting current, etc. Decreasing current may increase the life. However, decreasing current will result in insufficient torque and the inverter may not start. Therefore, increase the inverter capacity to have enough allowance for current.
- Make sure that the specifications and rating match the system requirements.
- When the motor speed is unstable, due to change in the frequency setting signal caused by electromagnetic noises from the inverter, take the following measures when applying the motor speed by the analog signal.
 - Do not run the signal cables and power cables (inverter I/O cables) in parallel with each other and do not bundle them.
 - Run signal cables as far away as possible from power cables (inverter I/O cables).
 - Use shield cables as signal cables.
 - Install a ferrite core on the signal cable (Example: ZCAT3035-1330 TDK).



5 FAILSAFE OF THE SYSTEM WHICH USES THE INVERTER

When a fault occurs, the inverter trips to output a fault signal. However, a fault output signal may not be output at an inverter fault occurrence when the detection circuit or output circuit fails, etc. Although Mitsubishi assures best quality products, provide an interlock which uses inverter status output signals to prevent accidents such as damage to machine when the inverter fails for some reason and at the same time consider the system configuration where failsafe from outside the inverter, without using the inverter, is enabled even if the inverter fails.

Interlock method which uses the inverter status output signals

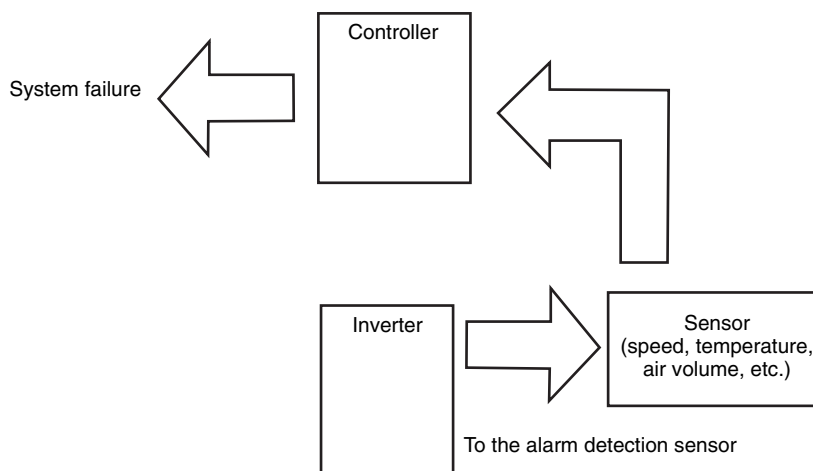
By combining the inverter status output signals to provide an interlock as shown below, an inverter alarm can be detected.

Interlock Method	Check Method	Used Signals	Refer to Page
Inverter protective function operation	Operation check of an alarm contact Circuit error detection by negative logic	Fault output signal (ALM signal)	Refer to chapter 4 of the Instruction Manual
Inverter running status	Operation ready signal check	Operation ready signal (RY signal)	
	Logic check of the start signal and running signal	Start signal (STF signal, STR signal) Running signal (RUN signal)	
	Logic check of the start signal and output current	Start signal (STF signal, STR signal) Output current detection signal (Y12 signal)	

Backup method outside the inverter

Even if the interlock is provided by the inverter status signal, enough failsafe is not ensured depending on the failure status of the inverter itself. For example, even if the interlock is provided using the inverter fault output signal, start signal and RUN signal output, there is a case where a fault output signal is not output and RUN signal is kept output even if an inverter fault occurs.

Provide a speed detector to detect the motor speed and current detector to detect the motor current and consider the backup system such as checking up as below according to the level of importance of the system. Check the motor running and motor current while the start signal is input to the inverter by comparing the start signal to the inverter and detected speed of the speed detector or detected current of the current detector. Note that the motor current runs as the motor is running for the period until the motor stops since the inverter starts decelerating even if the start signal turns off. For the logic check, configure a sequence considering the inverter deceleration time. In addition, it is recommended to check the three-phase current when using the current detector.



Check if there is no gap between the actual speed and commanded speed by comparing the inverter speed command and detected speed of the speed detector.

6 PARAMETER

For simple variable-speed operation of the inverter, the initial setting of the parameters may be used as they are. Set the necessary parameters to meet the load and operational specifications. Parameter setting, change and check can be made from the operation panel. For details of parameters, refer to the instruction manual.

Remarks

- The parameters marked © are the simple mode parameters.
- The parameters marked with in the table allow its setting to be changed during operation even if "0" (initial value) is set in *Pr. 77 Parameter write selection*.

Parameters	Name	Setting Range	Initial Value
© 0	Torque boost	0 to 30%	6/4/2 *1
© 1	Maximum frequency	0 to 120Hz	120Hz
© 2	Minimum frequency	0 to 120Hz	0Hz
© 3	Base frequency	0 to 400Hz	50Hz
© 4	Multi-speed setting (high speed)	0 to 400Hz	50Hz
© 5	Multi-speed setting (middle speed)	0 to 400Hz	30Hz
© 6	Multi-speed setting (low speed)	0 to 400Hz	10Hz
© 7	Acceleration time	0 to 3600/360s	5s/10s/ 15s *2
© 8	Deceleration time	0 to 3600/360s	5s/10s/ 15s *2
© 9	Electronic thermal O/L relay	0 to 500A	Rated inverter output current
10	DC injection brake operation frequency	0 to 120Hz	3Hz
11	DC injection brake operation time	0 to 10s	0.5s
12	DC injection brake operation voltage	0 to 30%	6%/4%/ 2% *3
13	Starting frequency	0 to 60Hz	0.5Hz
14	Load pattern selection	0 to 3	0
15	Jog frequency	0 to 400Hz	5Hz
16	Jog acceleration/ deceleration time	0 to 3600/360s	0.5s
17	MRS input selection	0, 2, 4	0
18	High speed maximum frequency	120 to 400Hz	120Hz
19	Base frequency voltage	0 to 1000V, 8888, 9999	8888

Parameters	Name	Setting Range	Initial Value
20	Acceleration/ deceleration reference frequency	1 to 400Hz	50Hz
21	Acceleration/ deceleration time increments	0, 1	0
22	Stall prevention operation level	0 to 200%	150%
23	Stall prevention operation level compensation factor at double speed	0 to 200%, 9999	9999
24 to 27	Multi-speed setting 4 speed to 7 speed	0 to 400Hz, 9999	9999
29	Acceleration/ deceleration pattern selection	0, 1, 2	0
30	Regenerative function selection	0, 1, 2	0
31	Frequency jump 1A	0 to 400Hz, 9999	9999
32	Frequency jump 1B	0 to 400Hz, 9999	9999
33	Frequency jump 2A	0 to 400Hz, 9999	9999
34	Frequency jump 2B	0 to 400Hz, 9999	9999
35	Frequency jump 3A	0 to 400Hz, 9999	9999
36	Frequency jump 3B	0 to 400Hz, 9999	9999
37	Speed display	0, 0.01 to 9998	0
40	RUN key rotation direction selection	0, 1	0
41	Up-to-frequency sensitivity	0 to 100%	10%
42	Output frequency detection	0 to 400Hz	6Hz

*1 Differ according to capacities.

6%: FR-E720S-050 or less/FR-E740-026 or less
4%: FR-E720S-080 and 110/FR-E740-040 to 095
3%: FR-E740-120 and 170
2%: FR-E740-230 and 300

*2 Differ according to capacities.

5s: FR-E720S-110 or less/FR-E740-095 or less
10s: FR-E740-120 and 170
15s: FR-E740-230 and 300

*3 Differ according to capacities.

6%: FR-E720S-008 and 015
4%: FR-E720S-030 to 110/FR-E740-016 to 170
2%: FR-E740-230 and 300

Parameters	Name	Setting Range	Initial Value
43	Output frequency detection for reverse rotation	0 to 400Hz, 9999	9999
44	Second acceleration/deceleration time	0 to 3600/360s	5s/10s/15s *1
45	Second deceleration time	0 to 3600/360s, 9999	9999
46	Second torque boost	0 to 30%, 9999	9999
47	Second V/F (base frequency)	0 to 400Hz, 9999	9999
48	Second stall prevention operation current	0 to 200%, 9999	9999
51	Second electronic thermal O/L relay	0 to 500A, 9999	9999
52	DU/PU main display data selection	0, 5, 7 to 12, 14, 20, 23 to 25, 52 to 57, 61, 62, 100	0
55	Frequency monitoring reference	0 to 400Hz	50Hz
56	Current monitoring reference	0 to 500A	Rated inverter output current
57	Restart coasting time	0, 0.1 to 5s, 9999	9999
58	Restart cushion time	0 to 60s	1s
59	Remote function selection	0, 1, 2, 3	0
60	Energy saving control selection	0, 9	0
61	Reference current	0 to 500A, 9999	9999
62	Reference value at acceleration	0 to 200%, 9999	9999
63	Reference value at deceleration	0 to 200%, 9999	9999
65	Retry selection	0 to 5	0
66	Stall prevention operation reduction starting frequency	0 to 400Hz	50Hz
67	Number of retries at alarm occurrence	0 to 10, 101 to 110	0
68	Retry waiting time	0.1 to 360s	1s
69	Retry count display erase	0	0
70	Special regenerative brake duty	0 to 30%	0%
71	Applied motor	0, 1, 3 to 6, 13 to 16, 23, 24, 40, 43, 44, 50, 53, 54	0
72	PWM frequency selection	0 to 15	1
73	Analog input selection	0, 1, 10, 11	1
74	Input filter time constant	0 to 8	1

Parameters	Name	Setting Range	Initial Value
75	Reset selection/disconnected PU detection/PU stop selection	0 to 3, 14 to 17	14
77	Parameter write selection	0, 1, 2	0
78	Reverse rotation prevention selection	0, 1, 2	0
Ⓢ 79	Operation mode selection	0, 1, 2, 3, 4, 6, 7	0
80	Motor capacity	0.1 to 15kW, 9999	9999
81	Number of motor poles	2, 4, 6, 8, 10, 9999	9999
82	Motor excitation current	0 to 500A (0 to ****), 9999 *2	9999
83	Motor rated voltage	0 to 1000V	200V/400V *3
84	Rated motor frequency	10 to 120 Hz	50Hz
89	Speed control gain (advanced magnetic flux vector)	0 to 200%, 9999	9999
90	Motor constant (R1)	0 to 50Ω, (0 to ****), 9999 *2	9999
91	Motor constant (R2)	0 to 50Ω, (0 to ****), 9999 *2	9999
92	Motor constant (L1)	0 to 1000mH, (0 to 50Ω, 0 to ****), 9999 *2	9999
93	Motor constant (L2)	0 to 1000mH, (0 to 50Ω, 0 to ****), 9999 *2	9999
94	Motor constant (X)	0 to 100%, (0 to 500Ω, 0 to ****), 9999 *2	9999
96	Auto tuning setting status	0, 1, 11, 21	0
117	PU communication station number	0 to 31 (0 to 247)	0
118	PU communication speed	48, 96, 192, 384	192
119	PU communication stop bit length	0, 1, 10, 11	1
120	PU communication parity check	0, 1, 2	2
121	Number of PU communication retries	0 to 10, 9999	1
122	PU communication check time interval	0, 0.1 to 999.8s, 9999	0
123	PU communication waiting time setting	0 to 150ms, 9999	9999
124	PU communication CR/LF presence/absence selection	0, 1, 2	1

*1 Differ according to capacities.
5s: FR-E720S-110 or less/FR-E740-095 or less
10s: FR-E740-120 and 170
15s: FR-E740-230 and 300

*2 The range differs according to the Pr. 71 setting.

*3 The initial value differs according to the voltage class. (200V class/400V class)



Parameters	Name	Setting Range	Initial Value
© 125	Terminal 2 frequency setting gain frequency	0 to 400Hz	50Hz
© 126	Terminal 4 frequency setting gain frequency	0 to 400Hz	50Hz
127	PID control automatic switchover frequency	0 to 400Hz, 9999	9999
128	PID action selection	0, 20, 21, 40 to 43, 50, 51, 60, 61	0
129	PID proportional band	0.1 to 1000%, 9999	100%
130	PID integral time	0.1 to 3600s, 9999	1s
131	PID upper limit	0 to 100%, 9999	9999
132	PID lower limit	0 to 100%, 9999	9999
133	PID action set point	0 to 100%, 9999	9999
134	PID differential time	0.01 to 10.00s, 9999	9999
145	PU display language selection	0 to 7	1
146	Parameter for manufacturer setting. Do not set.		
147	Acceleration/ deceleration time switching frequency	0 to 400 Hz, 9999	9999
150	Output current detection level	0 to 200%	150%
151	Output current detection signal delay time	0 to 10s	0s
152	Zero current detection level	0 to 200%	5%
153	Zero current detection time	0 to 1s	0.5s
156	Stall prevention operation selection	0 to 31, 100, 101	0
157	OL signal output timer	0 to 25s, 9999	0s
158	AM terminal function selection	1 to 3, 5, 7 to 12, 14, 21, 24, 52, 53, 61, 62	1
©160	User group read selection	0, 1, 9999	0
161	Frequency setting/ key lock operation selection	0, 1, 10, 11	0
162	Automatic restart after instantaneous power failure selection	0, 1, 10, 11	1
165	Stall prevention operation level for restart	0 to 200%	150%
168	Parameter for manufacturer setting.		
169	Do not set.		
170	Watt-hour meter clear	0, 10, 9999	9999
171	Operation hour meter clear	0, 9999	9999
172	User group registered display/ batch clear	9999, (0 to 16)	0

Parameters	Name	Setting Range	Initial Value
173	User group registration	0 to 999, 9999	9999
174	User group clear	0 to 999, 9999	9999
178	STF terminal function selection	0 to 5, 7, 8, 10, 12, 14 to 16, 18, 24, 25, 60, 62, 65 to 67, 9999	60
179	STR terminal function selection	0 to 5, 7, 8, 10, 12, 14 to 16, 18, 24, 25, 61, 62, 65 to 67, 9999	61
180	RL terminal function selection	0 to 5, 7, 8, 10, 12, 14 to 16, 18, 24, 25, 62, 65 to 67, 9999	0
181	RM terminal function selection		1
182	RH terminal function selection		2
183	MRS terminal function selection		24
184	RES terminal function selection		62
190	RUN terminal function selection	0, 1, 3, 4, 7, 8, 11 to 16, 20, 25, 26, 46, 47, 64, 90, 91, 93, 95, 96, 98, 99, 100, 101, 103, 104, 107, 108, 111 to 116, 120, 125, 126, 146, 147, 164, 190, 191, 193, 195, 196, 198, 199, 9999	0
191	FU terminal function selection	0, 1, 3, 4, 7, 8, 11 to 16, 20, 25, 26, 46, 47, 64, 90, 91, 95, 96, 98, 99, 100, 101, 103, 104, 107, 108, 111 to 116, 120, 125, 126, 146, 147, 164, 190, 191, 195, 196, 198, 199, 9999	4
192	ABC terminal function selection	0, 1, 3, 4, 7, 8, 11 to 16, 20, 25, 26, 46, 47, 64, 90, 91, 95, 96, 98, 99, 100, 101, 103, 104, 107, 108, 111 to 116, 120, 125, 126, 146, 147, 164, 190, 191, 195, 196, 198, 199, 9999	99
232 to 239	Multi-speed setting (speeds 8 to 15)	0 to 400Hz, 9999	9999
240	Soft-PWM operation selection	0, 1	1
241	Analog input display unit switchover	0, 1	0
244	Cooling fan operation selection	0, 1	1
245	Rated slip	0 to 50%, 9999	9999
246	Slip compensation time constant	0.01 to 10s	0.5s
247	Constant-power range slip compensation selection	0, 9999	9999
249	Earth (ground) fault detection at start	0, 1	0
250	Stop selection	0 to 100s, 1000 to 1100s, 8888, 9999	9999
251	Output phase loss protection selection	0, 1	1
255	Life alarm status display	(0 to 15)	0

Parameters	Name	Setting Range	Initial Value
256	Inrush current suppression circuit life display	(0 to 100%)	100%
257	Control circuit capacitor life display	(0 to 100%)	100%
258	Main circuit capacitor life display	(0 to 100%)	100%
259	Main circuit capacitor life measuring	0, 1 (2, 3, 8, 9)	0
261	Power failure stop selection	0, 1, 2	0
267	Terminal 4 input selection	0, 1, 2	0
268	Monitor decimal digits selection	0, 1, 9999	9999
269	Parameter for manufacturer setting. Do not make setting.		
270	Stop-on contact control selection	0, 1	0
275	Stop-on contact excitation current low-speed multiplying factor	0 to 300%, 9999	9999
276	PWM carrier frequency at stop-on contact	0 to 9, 9999	9999
277	Stall prevention operation current switchover	0, 1	0
278	Brake opening frequency	0 to 30Hz	3Hz
279	Brake opening current	0 to 200%	130%
280	Brake opening current detection time	0 to 2s	0.3s
281	Brake operation time at start	0 to 5s	0.3s
282	Brake operation frequency	0 to 30Hz	6Hz
283	Brake operation time at stop	0 to 5s	0.3s
286	Droop gain	0 to 100%	0%
287	Droop filter time constant	0 to 1s	0.3s
292	Automatic acceleration/ deceleration	0, 1, 7, 8, 11	0
293	Acceleration/ deceleration separate selection	0 to 2	0
295	Magnitude of frequency change setting	0, 0.01, 0.1, 1, 10	0
298	Frequency search gain	0 to 32767, 9999	9999
299	Rotation direction detection selection at restarting	0, 1, 9999	0
338	Communication operation command source	0, 1	0
339	Communication speed command source	0, 1, 2	0

Parameters	Name	Setting Range	Initial Value
340	Communication startup mode selection	0, 1, 10	0
342	Communication EEPROM write selection	0, 1	0
343	Communication error count	—	0
450	Second applied motor	0, 1, 9999	9999
495	Remote output selection	0, 1, 10, 11	0
496	Remote output data 1	0 to 4095	0
497	Remote output data 1	0 to 4095	0
502	Stop mode selection at communication error	0,1, 2, 3	0
503	Maintenance timer	0 (1 to 9998)	0
504	Maintenance timer alarm output set time	0 to 9998, 9999	9999
547	USB communication station number	0 to 31	0
548	USB communication check time interval	0 to 999.8s, 9999	9999
549	Protocol selection	0, 1	0
550	NET mode operation command source selection	0, 2, 9999	9999
551	PU mode operation command source selection	2 to 4, 9999	2
555	Current average time	0.1 to 1.0s	1s
556	Data output mask time	0.0 to 20.0s	0s
557	Current average value monitor signal output reference current	0 to 500A	Rated inverter current
563	Energization time carrying-over times	(0 to 65535)	0
564	Operating time carrying-over times	(0 to 65535)	0
571	Holding time at a start	0.0 to 10.0s, 9999	9999
611	Acceleration time at a restart	0 to 3600s, 9999	9999
645	AM 0V adjustment	970 to 1200	1000
653	Speed smoothing control	0 to 200%	0
665	Regeneration avoidance frequency gain	0 to 200%	100
800	Control method selection	20, 30	20
859	Torque current	0 to 500A (0 to ****), 9999 *1	9999
872 *2	Input phase loss protection selection	0, 1	1
882	Regeneration avoidance operation selection	0, 1, 2	0

*1 The range differs according to the Pr. 71 setting.

*2 Available only for the three-phase power input specification model.



Parameters	Name	Setting Range	Initial Value
883	Regeneration avoidance operation level	300 to 800V	400V/ 760VDC *1
885	Regeneration avoidance compensation frequency limit value	0 to 10Hz, 9999	6Hz
886	Regeneration avoidance voltage gain	0 to 200%	100%
888	Free parameter 1	0 to 9999	9999
889	Free parameter 2	0 to 9999	9999
C1 (901) *2	AM terminal calibration	—	—
C2 (902) *2	Terminal 2 frequency setting bias frequency	0 to 400Hz	0Hz
C3 (902) *2	Terminal 2 frequency setting bias	0 to 300%	0%
125 (903) *2	Terminal 2 frequency setting gain frequency	0 to 400Hz	50Hz
C4 (903) *2	Terminal 2 frequency setting gain	0 to 300%	100%

Parameters	Name	Setting Range	Initial Value
C5 (904) *2	Terminal 4 frequency setting bias frequency	0 to 400Hz	0Hz
C6 (904) *2	Terminal 4 frequency setting bias	0 to 300%	20%
126 (905) *2	Terminal 4 frequency setting gain frequency	0 to 400Hz	50Hz
C7 (905) *2	Terminal 4 frequency setting gain	0 to 300%	100%
C22 (922) *2	Parameter for manufacturer setting. Do not set.		
C23 (922) *2			
C24 (923) *2			
C25 (923) *2			
990			
991	PU contrast adjustment	0 to 63	58
Pr.CL	Parameter clear	0, 1	0
ALLC	All parameter clear	0, 1	0
Er.CL	Alarm history clear	0, 1	0
Pr.CH	Initial value change list	—	—

*1 The initial value differs according to the voltage class. (200V class/400V class)

*2 The parameter number in parentheses is the one for use with the operation panel (FR-PA02-02) for the FR-E500 series or parameter unit (FR-PU04/FR-PU07).

7 TROUBLESHOOTING

When an fault occurs in the inverter, the protective function is activated bringing the inverter to an alarm stop and the PU display automatically changes to any of the following fault (alarm) indications.

If your fault does not correspond to any of the following faults or if you have any other problem, please contact your sales representative.

- Retention of fault output signal.....When the magnetic contactor (MC) provided on the input side of the inverter is opened at the activation of the protective function, the inverter's control power will be lost and the alarm output will not be held.
- Fault or alarm displayWhen a fault or alarm occurs, the operation panel display automatically switches to the fault or alarm indication.
- Resetting methodWhen a protective function of the inverter is activated, the power output of the inverter is blocked (motor is coasting). The inverter cannot start up again unless an automatic restart has been configured or the inverter is reset. Please observe carefully the warnings contained below in the configuration of an automatic restart or the execution of a reset.
- If protective functions were activated (i. e. the inverter switched off with an error message) follow the instructions for error correction provided in the manual for the inverter. Especially in the case of short circuits or earth contacts in the inverter output and mains overvoltages the cause of the fault must be determined prior to switching on again as a recurrence of such faults at short intervals can lead to premature aging of components or even the complete breakdown of the device. After the cause of the fault has been found and corrected the inverter can be reset and operations continue.

Inverter fault or alarm indications are roughly divided as below.

- Error Message
A message regarding operational fault and setting fault by the operation panel and parameter unit (FR-PU04/FR-PU07) is displayed. The inverter does not shut off output.
- Warnings
The inverter does not shut off output even when a warning is displayed. However, failure to take appropriate measures will lead to a major fault.
- Alarm
The inverter does not shut off output. You can also output an alarm signal by making parameter setting.
- Fault
When the protective function is activated, the inverter output is shut off and an fault signal is output.

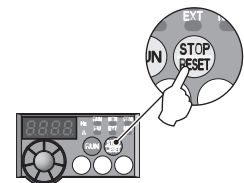
7.1 Reset method of protective function

Resetting the inverter

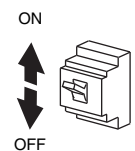
The inverter can be reset by performing any of the following operations. Note that the internal thermal integrated value of the electronic thermal relay function and the number of retries are cleared (erased) by resetting the inverter. Recover about 1s after reset is cancelled.

Three different methods can be used to reset an inverter.

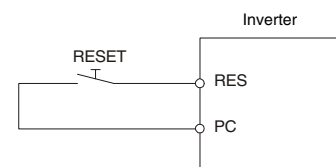
- Using the operation panel, press the STOP/RESET key to reset the inverter. (This may only be performed when a fault occurs.)



- Switch OFF the power once, then switch it ON again after the indicator of the operation panel turns OFF.



- Turn on the reset signal (RES) for more than 0.1s. (If the RES signal is kept on, "Err." appears (flickers) to indicate that the inverter is in a reset status.)





7.2 List of alarm display

Operation Panel Indication		Meaning
Error messages	E---	E--- Faults history
	HOLD	HOLD Operation panel lock
	Er1 to Er4	Er1 to 4 Parameter write error
	Err.	Err. Inverter reset
Warnings	OL	OL Stall Prevention (overcurrent)
	oL	oL Stall prevention (overvoltage)
	rb	RB Regenerative brake prealarm
	TH	TH Electronic thermal relay function prealarm
	PS	PS PU Stop
	MT	MT Maintenance signal output
	UV	UV Undervoltage
Alarm	Fn	FN Fan alarm
Fault	E.OC1	E.OC1 Overcurrent shut-off during acceleration
	E.OC2	E.OC2 Overcurrent shut-off during constant speed
	E.OC3	E.OC3 Overcurrent shut-off during deceleration or stop
	E.OV1	E.OV1 Regenerative overvoltage shut-off during acceleration
	E.OV2	E.OV2 Regenerative overvoltage shut-off during constant speed
	E.OV3	E.OV3 Regenerative overvoltage shut-off during deceleration or stop
	E.THT	E.THT Inverter overload shut-off (electronic thermal relay function)
	E.THM	E.THM Motor overload shut-off (electronic thermal relay function)
	E.FIN	E.FIN Fin overheat

Operation Panel Indication		Meaning
E.ILF	E.ILF*	Input phase loss
E.OLT	E.OLT	Stall prevention
E.bE	E.BE	Brake transistor alarm detection
E.GF	E.GF	Output side earth (ground) fault overcurrent protection
E.LF	E.LF	Output phase loss
E.OHT	E.OHT	External thermal relay operation
E.OP1	E.OP1	Communication option fault
E.1	E.1	Option fault
E.PE	E.PE	Parameter storage device fault
E.PE2	E.PE2*	Internal board fault
E.PUE	E.PUE	PU disconnection
E.rET	E.RET	Retry count excess
E.5/ E.6/ E.7/ E.CPU	E.5/ E.6/ E.7/ E.CPU	CPU fault
E.IOH	E.IOH*	Inrush current limit circuit fault
E.AIE	E.AIE*	Analog input fault
E.USB	E.USB*	USB communication fault
E.MB4 to E.MB7	E.MB4 to E.MB7	Brake sequence fault
E.13	E.13	Internal circuit fault

* If an E.ILF, E.PE2, E.IOH, E.SER, E.AIE or E.USB fault occurs when using the FR-PU04, "Fault 14" is displayed on the FR-PU04.

A APPENDIX

A.1 Instructions for Compliance with the European Directives

A.1.1 EMC Directive

- Our view of transistorized inverters for the EMC Directive
A transistorized inverter is a component designed for installation in an enclosure and for use with the other equipment to control the equipment/device. Therefore, we understand that the EMC Directive does not apply directly to transistorized inverters. For this reason, we do not place the CE mark on the transistorized inverters. (The CE mark is placed on inverters in accordance with the Low Voltage Directive.) CEMEP
- Compliance
We understand that the general-purpose inverters are not covered directly by the EMC Directive. However, the EMC Directive applies to machines/equipment into which inverters have been incorporated, and these machines and equipment must carry the CE marks. EMC Installation Guidelines BCN-A21041-202
- Outline of installation method
Install an inverter using the following methods:
 - Use the inverter with an European Standard-compliant noise filter.
 - For wiring between the inverter and motor, use shielded cables or run them in a metal piping and ground the cables on the inverter and motor sides with the shortest possible distance.
 - Insert a line noise filter and ferrite core into the power and control lines as required.Full information including the European Standard-compliant noise filter specifications are written in the technical information "EMC Installation Guidelines" (BCN-A21041-202). Please contact your sales representative.

A.1.2 Low Voltage Directive

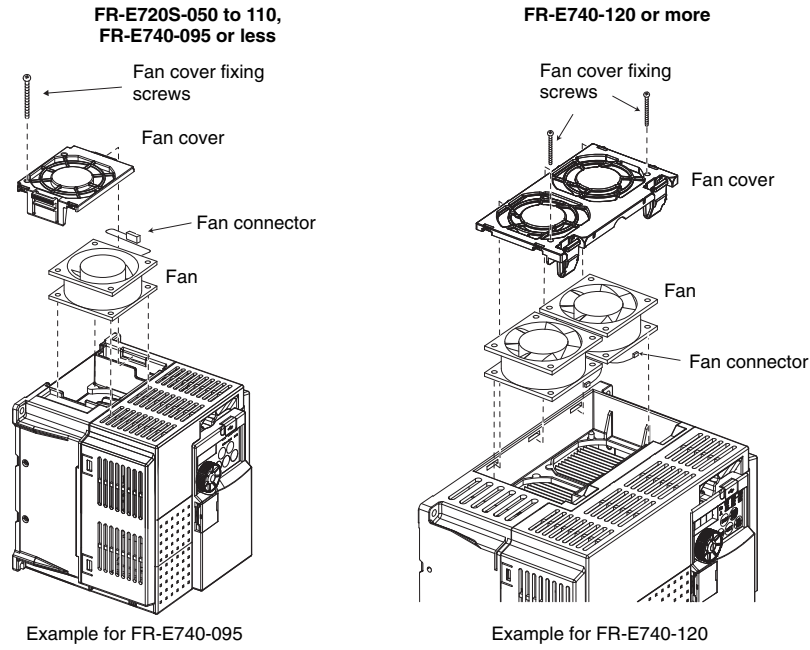
We have self-confirmed our inverters as products compliant to the Low Voltage Directive (Conforming standard EN 50178) and placed the CE mark on the inverters.

Outline of instructions

- Do not use a residual current operated protective device (RCD) as an electric shock protector without connecting the equipment to the earth. Connect the equipment to the earth securely.
- Wire the earth terminal independently. (Do not connect two or more cables to one terminal.)
- Use the cable sizes on *page 6* under the following conditions.
 - Ambient temperature: 40°C maximumIf conditions are different from above, select appropriate wire according to EN60204 ANNEX C TABLE 5.
- When tightening the screw, be careful not to damage the threads.
For use as a product compliant with the Low Voltage Directive, use PVC cable whose size is indicated on *page 6*.
- Use the moulded case circuit breaker and magnetic contactor which conform to the EN or IEC Standard.
- When using an earth leakage current breaker, use a residual current operated protective device (RCD) of type B (breaker which can detect both AC and DC.) If not, provide double or reinforced insulation between the inverter and other equipment, or put a transformer between the main power and inverter.
- Use the residual current operated protective device (RCD) of type B (breaker which can detect both AC and DC). However, be aware that also AC/DC sensitive earth leakage circuit breakers can be activated when turning the main power on and off and that this behaviour can be improved through the use of AC/DC sensitive earth leakage circuit breakers with adapted triggering curve designed for the inverter. If not, provide double or reinforced insulation between the inverter and other equipment, or put a transformer between the main power supply and inverter.
- Use the inverter under the conditions of overvoltage category II (usable regardless of the earth (ground) condition of the power supply), overvoltage category III (usable with the earthed-neutral system power supply, 400V class only) specified in IEC664.
- To use the inverter under the conditions of pollution degree 3, install it in the enclosure of IP54 or higher.



- To use the inverter (IP20) outside of an enclosure in the environment of pollution degree 2, fix a fan cover with the fan cover fixing screws enclosed.



- On the input and output of the inverter, use cables of the type and size set forth in EN60204 Appendix C.
- The operating capacity of the relay outputs (terminal symbols A, B, C) should be 30VDC, 0.3A. (Relay outputs are basically isolated from the inverter internal circuit.)
- Control circuit terminals on page 4 are safely isolated from the main circuit.

Environment

	During Operation	In Storage	During Transportation
Ambient temperature	-10°C to +50°C (non-freezing)	-20°C to +65°C	-20°C to +65°C
Ambient humidity	90% RH or less	90% RH or less	90% RH or less
Maximum altitude	1000m	1000m	10000m

A.2 Instructions for UL and cUL

(UL 508C, CSA C22.2 No.14)

A.2.1 General precaution

The bus capacitor discharge time is 10 minutes. Before starting wiring or inspection, switch power off, wait for more than 10 minutes, and check for residual voltage between terminal + and – with a meter etc., to avoid a hazard of electrical shock.

A.2.2 Installation

The below types of inverter have been approved as products for use in enclosure and approval tests were conducted under the following conditions.

Design an enclosure so that the inverter ambient temperature, humidity and atmosphere satisfy the specifications. (Refer to *page 2*.)

Wiring protection

For installation in the United States, branch circuit protection must be provided in accordance with the National Electrical Code and any applicable provincial codes.

For installation in Canada, branch circuit protection must be provided in accordance with the Canada Electrical Code and any applicable provincial codes.

Provide the appropriate UL and cUL listed class T type fuse that are suitable for branch circuit protection in accordance with the table below.

FR-E720S-□□□-EC (C)		008	015	030	050	080	110
Rated voltage [V]		240V or more					
Fuse maximum allowable rating [A] *	Without power factor improving reactor	15	15	15	20	30	40
	With power factor improving reactor	15	15	15	20	20	30

FR-E740-□□□-EC (C)		016	026	040	060	095	120	170	230	300
Rated voltage [V]		480V or more								
Fuse maximum allowable rating [A] *	Without power factor improving reactor	6	10	15	20	30	40	70	80	90
	With power factor improving reactor	6	10	10	15	25	35	60	70	90

* Maximum allowable rating by US National Electrical Code. Exact size must be chosen for each installation.

A.2.3 Short circuit ratings

- 200V class
Suitable For Use in A Circuit Capable of Delivering Not More Than 100kA rms Symmetrical Amperes, 264V Maximum.
- 400V class
Suitable For Use in A Circuit Capable of Delivering Not More Than 100kA rms Symmetrical Amperes, 528V Maximum.

A.2.4 Wiring

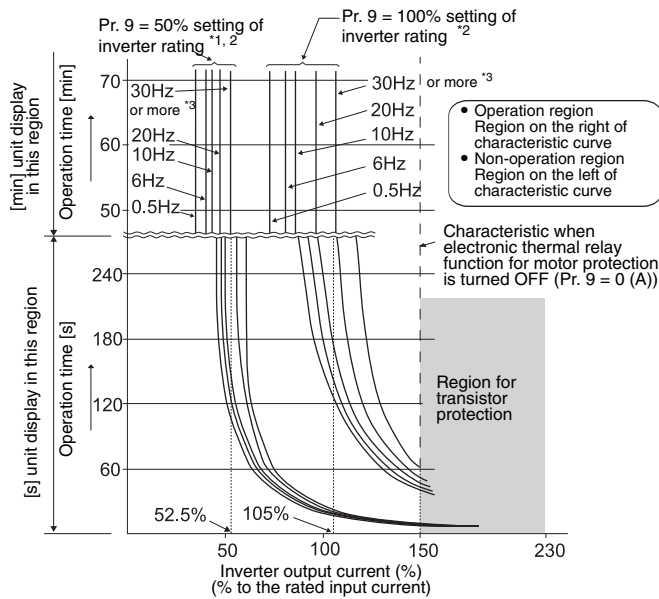
- The cables used should be 75°C copper cables.
- Tighten the terminal screws to the specified torques.
Undertightening can cause a short or misoperation.
Overtightening can cause the screws and unit to be damaged, resulting in a short or misoperation.
- Use the UL approved round crimping terminals. Crimp the terminals with the crimping tool recommended by the terminal manufacturer.



A.2.5 Motor overload protection

When using the electronic thermal relay as motor overload protection, set the rated motor current to *Pr.9 Electronic thermal O/L relay*.

Electronic thermal relay function characteristic



This function detects the overload (overheat) of the motor, stops the operation of the inverter's output transistor, and stops the output.

When using the Mitsubishi constant-torque motor set "1" or any of "13" to "16", "50", "53", "54" in Pr. 71. This provides a 100% continuous torque characteristic in the low-speed range. Set the rated current of the motor in Pr. 9.

^{*1} When a value 50% of the inverter rated output current (current value) is set in Pr. 9.

^{*2} The % value denotes the percentage to the inverter rated output current. It is not the percentage to the motor rated current.

^{*3} When you set the electronic thermal relay function dedicated to the Mitsubishi constant-torque motor, this characteristic curve applies to operation at 6Hz or higher.

CAUTION

- Protective function by electronic thermal relay function is reset by inverter power reset and reset signal input. Avoid unnecessary reset and power-off.
- When multiple motors are operated by a single inverter, protection cannot be provided by the electronic thermal relay function. Install an external thermal relay to each motor.
- When the difference between the inverter and motor capacities is large and the setting is small, the protective characteristics of the electronic thermal relay function will be deteriorated. In this case, use an external thermal relay.
- A special motor cannot be protected by the electronic thermal relay function. Use an external thermal relay.
- Electronic thermal relay may not function when 5% or less of inverter rated current is set to electronic thermal relay setting.

About the CD ROM

- The copyright and other rights of this enclosed CD ROM all belong to Mitsubishi Electric Corporation.
- No part of this CD ROM may be copied or reproduced without the permission of Mitsubishi Electric Corporation.
- Specifications of this CD ROM are subject to change without notice.
- We are not responsible for any damages and lost earnings, etc. from use of this CD ROM.
- Microsoft, Windows, Microsoft Windows NT are registered trademarks of Microsoft Corporation in the United States and/or other countries. Adobe and Acrobat are registered trademarks of Adobe Systems Incorporated. Pentium is a registered trademark of Intel Corporation of the United States and/or other countries. Mac OS is a registered trademark of Apple Computer, Inc., U.S.A. PowerPC is a registered trademark of International Business Machines Corporation. Other company and product names herein are the trademarks and registered trademarks of their respective owners.
- Warranty
 - We do not provide a warranty against defects in this CD ROM and related documents.
 - We are not responsible to any loss resulting from use of this product.
- Acrobat Reader
For use of Acrobat Reader contained in this CD ROM, please follow use conditions established by Adobe System Incorporated.

⚠ WARNING

- This is a personal computer dedicated CD ROM. Do not attempt to play it on ordinary audio devices. The loud volume may damage hearing and speakers.

When playing the CD ROM on Windows OS

Operating environment

The following system is required to read instruction manuals contained in this CD ROM:

Item	Specifications
OS	Microsoft Windows 95 OSR 2.0, Windows 98 Second Edition, Windows Millennium Edition, Windows NT 4.0 with Service Pack 6, Windows 2000 with Service Pack 2, Windows XP Professional or Home Edition, Windows XP Tablet PC Edition
CPU	Intel Pentium processor
Memory	64MB of RAM
Hard disk	24MB of available hard disk space
CD ROM drive	Double speed or more (more than quadruple speed is recommended)
Monitor	800x600 dot or more
Application	Acrobat Reader 4.05 or more (This CD ROM contains Acrobat Reader 5.0. Install Acrobat Reader contained in the CD ROM or download Acrobat Reader from the internet)

Operating method of this CD ROM:

- Acrobat Reader 5.0 installation procedure
 - ① Start Windows and place this CD ROM in the CD ROM drive.
 - ② If Acrobat Reader is not installed in your computer, an installation screen of Acrobat Reader is automatically displayed.
 - ③ Install according to the instruction of installation screen of Acrobat Reader.

Manual installation

- ① Start Windows and place this CD ROM in the CD ROM drive.
 - ② Select a CD ROM drive (example: D drive) of "My computer" and click the right mouse button. Then, click "open" in the context menu.
 - ③ Open "WINDOWS" folder in "ACROBAT" folder in the opened folder and execute AR505ENU.EXE.
 - ④ Install according to the instruction of installation screen of Acrobat Reader.
- How to read instruction manual
 - ① Start Windows and place this CD ROM in the CD ROM drive.
 - ② "700 series documentation" PDF automatically opens.
 - ③ Click a PDF file name of the manual you want to read in the "INSTRUCTION MANUAL" list.
 - ④ PDF manual you clicked opens.

Manual opening of this CD ROM

- ① Start Windows and place this CD ROM in the CD ROM drive.
- ② Select a CD ROM drive (example: D drive) of "My computer" and click the right mouse button. Then, click "open" in the context menu.
- ③ Open "INDEX.PDF" in the opened folder
- ④ "700 series documentation" PDF opens. Operates according to the steps from Step ③ of "How to read instruction manual"

When playing this CD ROM on Macintosh OS

Item	Specifications
OS	Mac OS 8.6, 9.0.4, 9.1, or Mac OS X* (* Some features may not be available.)
CPU	PowerPC processor
Memory	64MB of RAM
Hard disk	24MB of available hard disk space
CD ROM drive	Double speed or more (more than quadruple speed is recommended)
Monitor	800x600 dot or more
Application	Acrobat Reader 4.05 or more (This CD ROM contains Acrobat Reader 5.0. Install Acrobat Reader contained in the CD ROM or download Acrobat Reader from the internet)

- Operating method of this CD ROM
 - ① Start Macintosh and place this CD ROM in the CD ROM drive.
 - ② Double click on the CD ROM icon on the desk top to open the CD ROM.
 - ③ Open "MacOS" folder in "ACROBAT" folder in the opened folder and execute Acrobat Reader Installer.
 - ④ Install according to the instruction of installation screen of Acrobat Reader.
- How to read instruction manuals
 - ① Start Macintosh and place this CD ROM in the CD ROM drive.
 - ② Double click on the CD ROM icon on the desk top to open the CD ROM.
 - ③ Open "INDEX.PDF" in the opened folder
 - ④ "700 series documentation" PDF opens.
 - ⑤ Click a PDF file name of the manual you want to read in the "INSTRUCTION MANUAL" list.
 - ⑥ PDF manual you clicked opens.

HEADQUARTERS

MITSUBISHI ELECTRIC EUROPE B.V. EUROPE
 German Branch
 Gothaer Straße 8
D-40880 Ratingen
 Phone: +49 (0)2102 / 486-0
 Fax: +49 (0)2102 / 486-1120

MITSUBISHI ELECTRIC EUROPE B.V. CZECH REPUBLIC
 Czech Branch
 Avenir Business Park, Radlická 714/113a
CZ-158 00 Praha 5
 Phone: +420 (0)251 551 470
 Fax: +420 (0)251-551-471

MITSUBISHI ELECTRIC EUROPE B.V. FRANCE
 French Branch
 25, Boulevard des Bouvets
F-92741 Nanterre Cedex
 Phone: +33 (0)1 / 55 68 55 68
 Fax: +33 (0)1 / 55 68 57 57

MITSUBISHI ELECTRIC EUROPE B.V. IRELAND
 Irish Branch
 Westgate Business Park, Ballymount
IRL-Dublin 24
 Phone: +353 (0)1 4198800
 Fax: +353 (0)1 4198890

MITSUBISHI ELECTRIC EUROPE B.V. ITALY
 Italian Branch
 Viale Colleoni 7
I-20041 Agrate Brianza (MB)
 Phone: +39 039 / 60 53 1
 Fax: +39 039 / 60 53 312

MITSUBISHI ELECTRIC EUROPE B.V. SPAIN
 Spanish Branch
 Carretera de Rubí 76-80
E-08190 Sant Cugat del Vallés (Barcelona)
 Phone: 902 131121 // +34 935653131
 Fax: +34 935891579

MITSUBISHI ELECTRIC EUROPE B.V. UK
 UK Branch
 Travellers Lane
UK-Hatfield, Herts. AL10 8XB
 Phone: +44 (0)1707 / 27 61 00
 Fax: +44 (0)1707 / 27 86 95

MITSUBISHI ELECTRIC CORPORATION JAPAN
 Office Tower "Z" 14 F
 8-12,1 chome, Harumi Chuo-Ku
Tokyo 104-6212
 Phone: +81 3 622 160 60
 Fax: +81 3 622 160 75

MITSUBISHI ELECTRIC AUTOMATION, Inc. USA
 500 Corporate Woods Parkway
Vernon Hills, IL 60061
 Phone: +1 847 478 21 00
 Fax: +1 847 478 22 53

EUROPEAN REPRESENTATIVES

AUSTRIA
 GEVA
 Wiener Straße 89
AT-2500 Baden
 Phone: +43 (0)2252 / 85 55 20
 Fax: +43 (0)2252 / 488 60

BELARUS
 TEHNIKON
 Oktyabrskaya 16/5, Off. 703-711
BY-220030 Minsk
 Phone: +375 (0)17 / 210 46 26
 Fax: +375 (0)17 / 210 46 26

BELGIUM
 ESCO DRIVES & AUTOMATION
 Culliganlaan 3
BE-1831 Diegem
 Phone: +32 (0)2 / 717 64 30
 Fax: +32 (0)2 / 717 64 31

BELGIUM
 Koning & Hartman b.v.
 Woluwelaan 31
BE-1800 Vilvoorde
 Phone: +32 (0)2 / 257 02 40
 Fax: +32 (0)2 / 257 02 49

BOSNIA AND HERZEGOVINA
 INEA BH d.o.o.
 Aleja Lipa 56
BA-71000 Sarajevo
 Phone: +387 (0)33 / 921 164
 Fax: +387 (0)33 / 524 539

BULGARIA
 AKHNATON
 4 Andrej Ljapchev Blvd. Pb 21
BG-1756 Sofia
 Phone: +359 (0)2 / 817 6004
 Fax: +359 (0)2 / 97 44 06 1

CROATIA
 INEA CR d.o.o.
 Losinjska 4 a
HR-10000 Zagreb
 Phone: +385 (0)1 / 36 940 - 01/ -02/ -03
 Fax: +385 (0)1 / 36 940 - 03

CZECH REPUBLIC
 AutoCont C.S. s.r.o.
 Technologická 374/6
CZ-708 00 Ostrava-Pustkovce
 Phone: +420 595 691 150
 Fax: +420 595 691 199

CZECH REPUBLIC
 B:TECH A.S.
 U Borové 69
CZ-58001 Havlíčkův Brod
 Phone: +420 (0)569 777 777
 Fax: +420 (0)569-777 778

DENMARK
 Beijer Electronics A/S
 Lykkegårdsvej 17, 1.
DK-4000 Roskilde
 Phone: +45 (0)46 / 75 76 66
 Fax: +45 (0)46 / 75 56 26

ESTONIA
 Beijer Electronics Eesti OÜ
 Pärnu mnt.160i
EE-11317 Tallinn
 Phone: +372 (0)6 / 51 81 40
 Fax: +372 (0)6 / 51 81 49

FINLAND
 Beijer Electronics OY
 Jaakonkatu 2
FIN-01620 Vantaa
 Phone: +358 (0)207 / 463 500
 Fax: +358 (0)207 / 463 501

GREECE
 UTECO A.B.E.E.
 5, Mavrogenous Str.
GR-18542 Piraeus
 Phone: +30 211 / 1206 900
 Fax: +30 211 / 1206 999

HUNGARY
 MELTRADE Ltd.
 Fertő utca 14.
HU-1107 Budapest
 Phone: +36 (0)1 / 431-9726
 Fax: +36 (0)1 / 431-9727

LATVIA
 Beijer Electronics SIA
 Vestienas iela 2
LV-1035 Riga
 Phone: +371 (0)784 / 2280
 Fax: +371 (0)784 / 2281

LITHUANIA
 Beijer Electronics UAB
 Savanoriu Pr. 187
LT-02300 Vilnius
 Phone: +370 (0)5 / 232 3101
 Fax: +370 (0)5 / 232 2980

EUROPEAN REPRESENTATIVES

MALTA
 ALFATRADE Ltd.
 99, Paola Hill
Malta- Paola PLA 1702
 Phone: +356 (0)21 / 697 816
 Fax: +356 (0)21 / 697 817

MOLDOVA
 INTEHSIS srl
 bld. Traian 23/1
MD-2060 Kishinev
 Phone: +373 (0)22 / 66 4242
 Fax: +373 (0)22 / 66 4280

NETHERLANDS
 HIFLEX AUTOM.TECHNIEK B.V.
 Wolweverstraat 22
NL-2984 CD Ridderkerk
 Phone: +31 (0)180 - 46 60 04
 Fax: +31 (0)180 - 44 23 55

NETHERLANDS
 Koning & Hartman b.v.
 Haarderbergweg 21-23
NL-1101 CH Amsterdam
 Phone: +31 (0)20 / 587 76 00
 Fax: +31 (0)20 / 587 76 05

NORWAY
 Beijer Electronics AS
 Postboks 487
NO-3002 Drammen
 Phone: +47 (0)32 / 24 30 00
 Fax: +47 (0)32 / 84 85 77

POLAND
 MPL Technology Sp. z o.o.
 Ul. Krakowska 50
PL-32-083 Balice
 Phone: +48 (0)12 / 630 47 00
 Fax: +48 (0)12 / 630 47 01

ROMANIA
 Sirius Trading & Services srl
 Aleea Lacul Morii Nr. 3
RO-060841 Bucuresti, Sector 6
 Phone: +40 (0)21 / 430 40 06
 Fax: +40 (0)21 / 430 40 02

SERBIA
 Craft Con. & Engineering d.o.o.
 Bulevar Svetog Cara Konstantina 80-86
SER-18106 Nis
 Phone: +381 (0)18 / 292-24-4/5
 Fax: +381 (0)18 / 292-24-4/5

SERBIA
 INEA SR d.o.o.
 Izletnicka 10
SER-113000 Smederevo
 Phone: +381 (0)26 / 617 163
 Fax: +381 (0)26 / 617 163

SLOVAKIA
 AutoCont Control s.r.o.
 Radlinského 47
SK-02601 Dolny Kubin
 Phone: +421 (0)43 / 5868210
 Fax: +421 (0)43 / 5868210

SLOVAKIA
 CS MTrade Slovensko, s.r.o.
 Vajanského 58
SK-92101 Piestany
 Phone: +421 (0)33 / 7742 760
 Fax: +421 (0)33 / 7735 144

SLOVENIA
 INEA d.o.o.
 Stegne 11
SI-1000 Ljubljana
 Phone: +386 (0)1 / 513 8100
 Fax: +386 (0)1 / 513 8170

SWEDEN
 Beijer Electronics AB
 Box 426
SE-20124 Malmö
 Phone: +46 (0)40 / 35 86 00
 Fax: +46 (0)40 / 35 86 02

SWITZERLAND
 Econotec AG
 Hinterdorfstr. 12
CH-8309 Nürensdorf
 Phone: +41 (0)44 / 838 48 11
 Fax: +41 (0)44 / 838 48 12

TURKEY
 GTS
 Bayraktar Bulvarı Nutuk Sok. No:5
TR-34775 Yukari Dudullu-Umraniye-ISTANBUL
 Phone: +90 (0)216 526 39 90
 Fax: +90 (0)216 526 39 95

UKRAINE
 CSC Automation Ltd.
 4-B, M. Raskovoyi St.
UA-02660 Kiev
 Phone: +380 (0)44 / 494 33 55
 Fax: +380 (0)44 / 494-33-66

EURASIAN REPRESENTATIVES

KAZAKHSTAN
 Kazpromautomatiks Ltd.
 Mustafina Str. 7/2
KAZ-470046 Karaganda
 Phone: +7 7212 / 50 11 50
 Fax: +7 7212 / 50 11 50

MIDDLE EAST REPRESENTATIVE

ISRAEL
 SHERF Motion Techn. Ltd.
 Rehov Hamerkava 19
IL-58851 Holon
 Phone: +972 (0)3 / 559 54 62
 Fax: +972 (0)3 / 556 01 82

LEBANON
 CEG INTERNATIONAL
 Cebaco Center/Block A Autostrade DORA
Lebanon - Beirut
 Phone: +961 (0)1 / 240 430
 Fax: +961 (0)1 / 240 438

AFRICAN REPRESENTATIVE

SOUTH AFRICA
 CBI Ltd.
 Private Bag 2016
ZA-1600 Isando
 Phone: +27 (0)11 / 928 2000
 Fax: +27 (0)11 / 392 2354